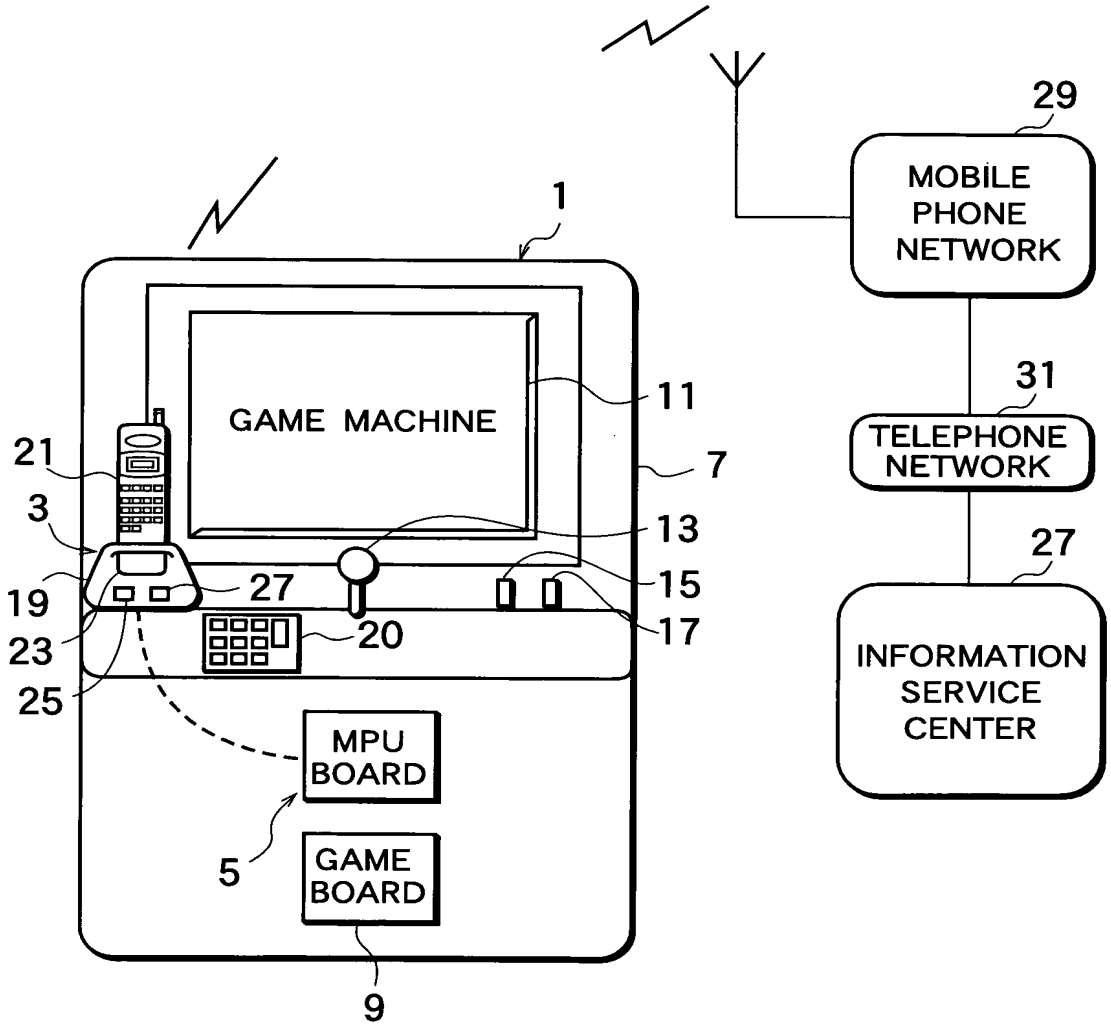


FIG.1



2025 RELEASE UNDER E.O. 14176

FIG.2

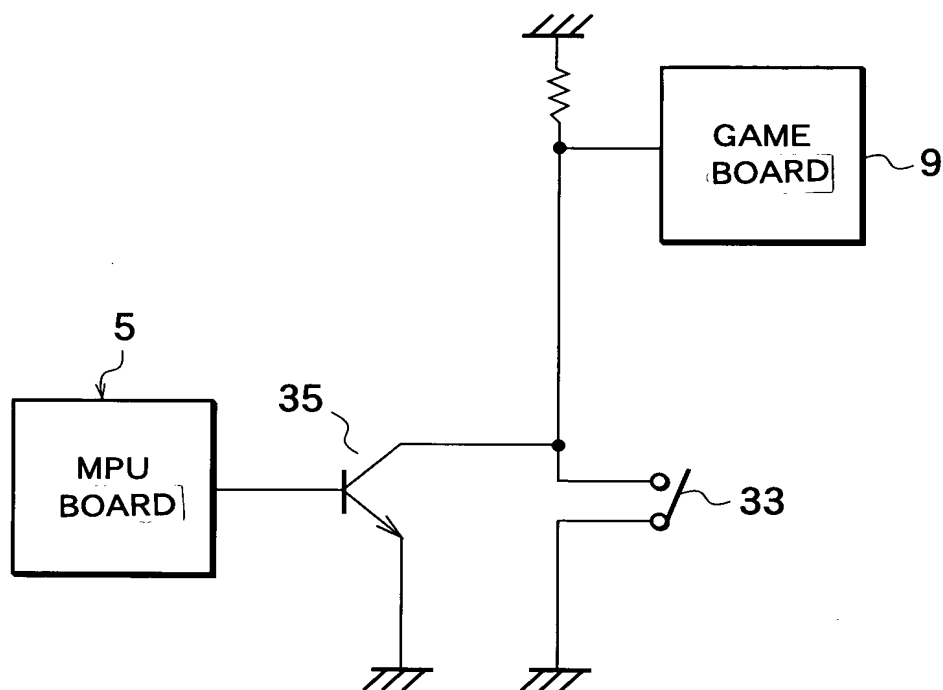
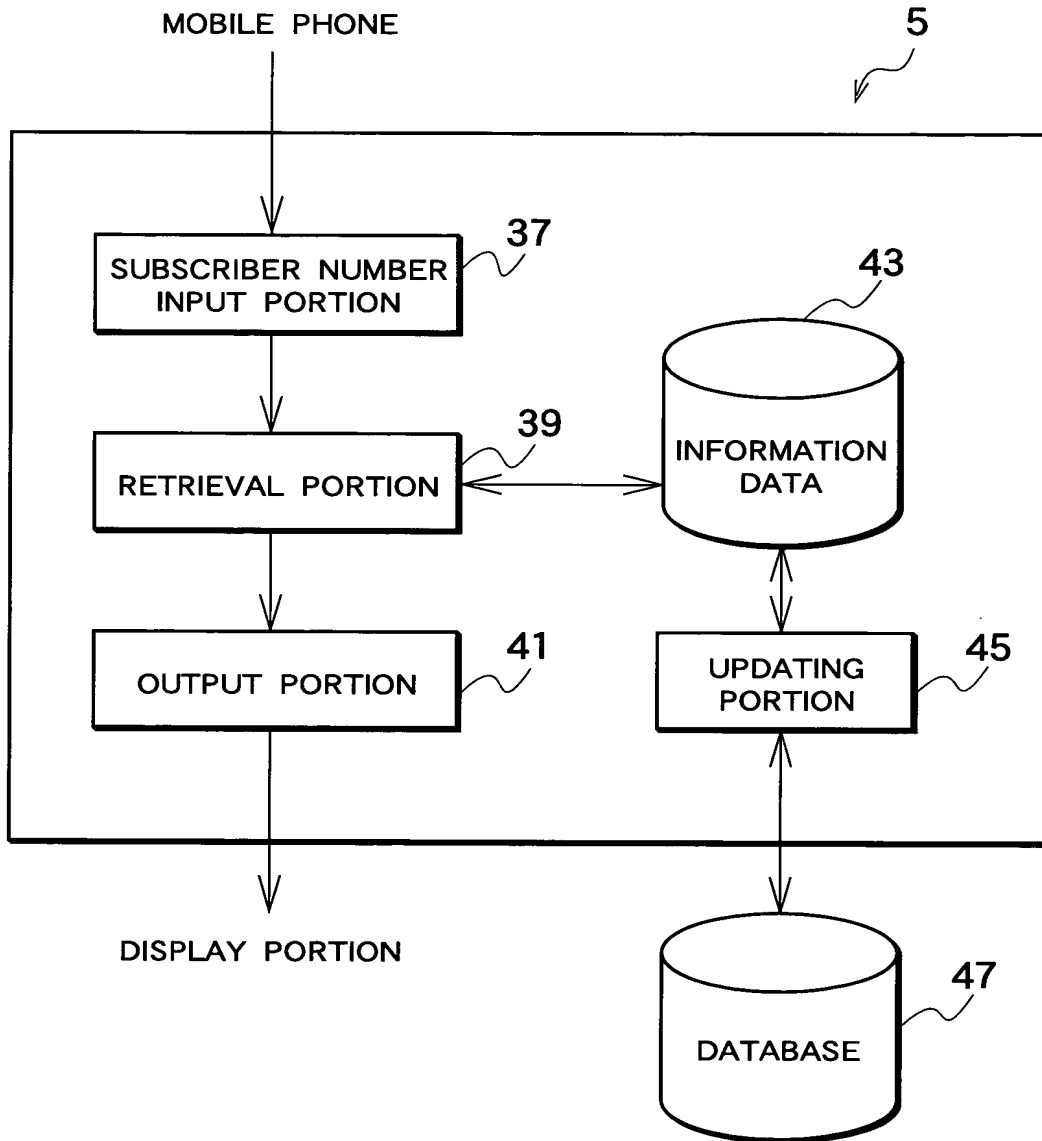
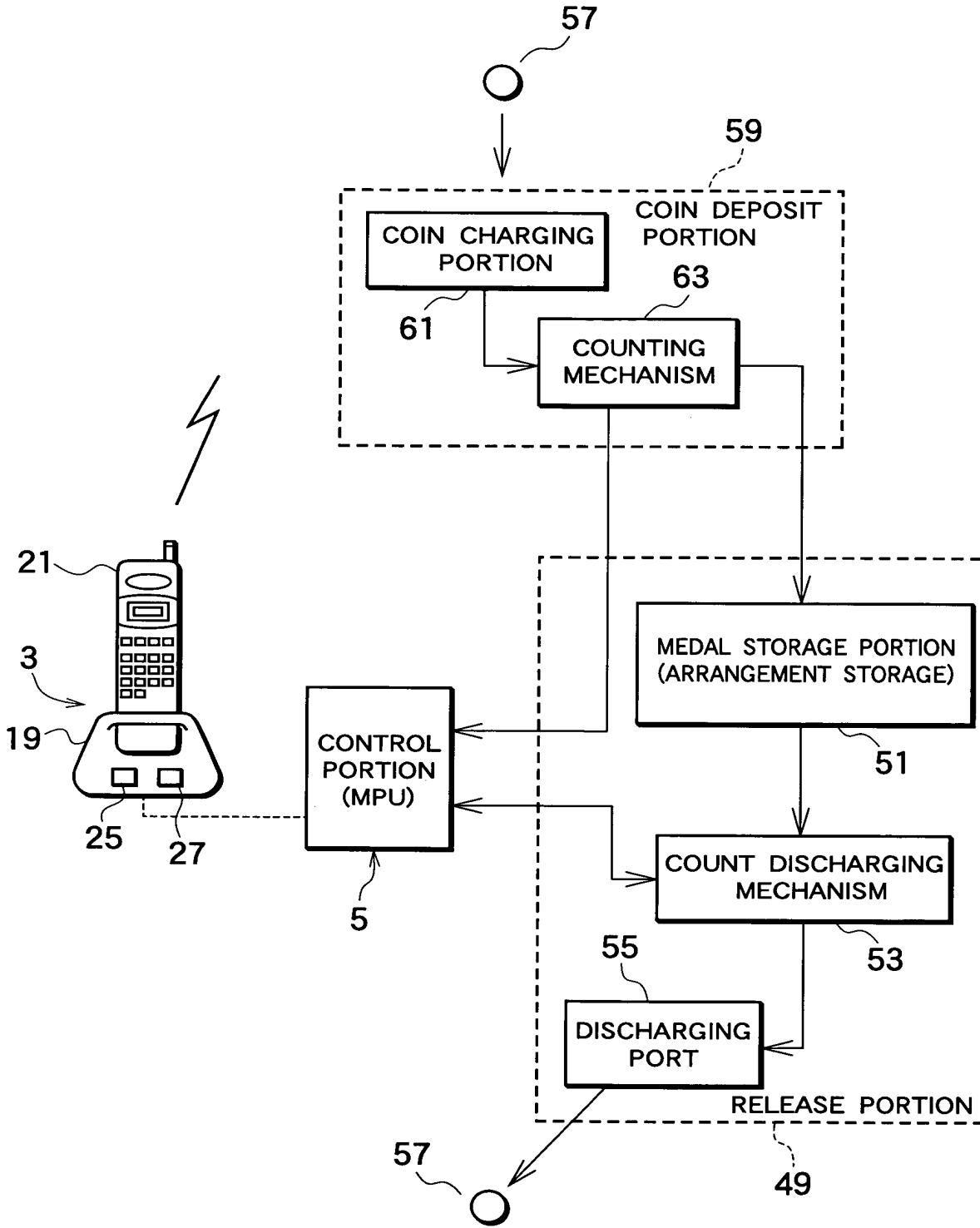


FIG.3



2025 RELEASE UNDER E.O. 14176

FIG.4





20240420 14:44:00

FIG.6

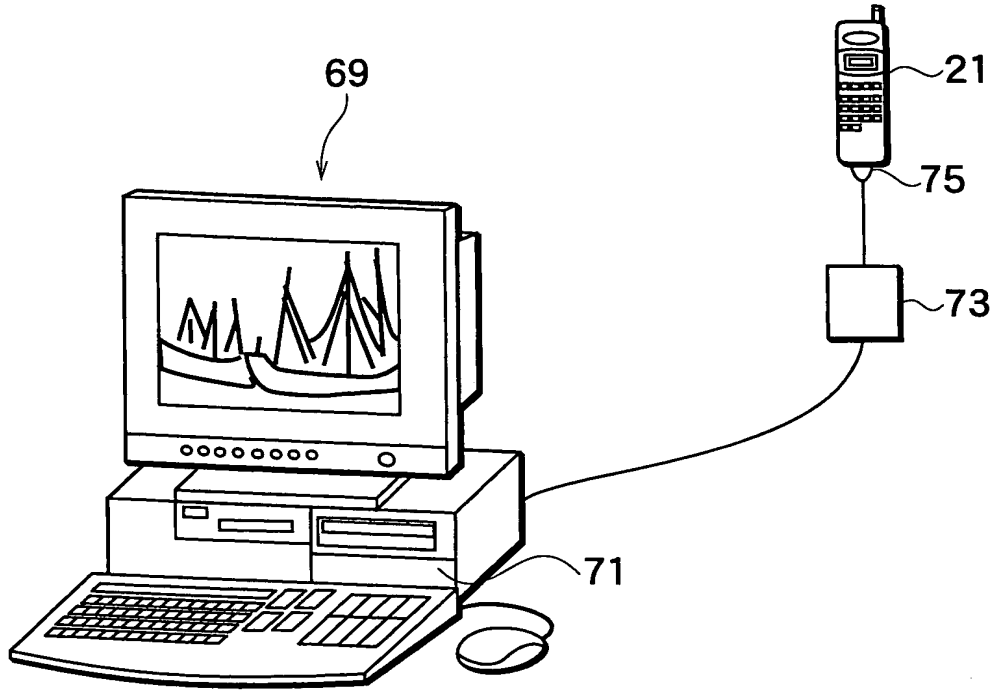


FIG.7

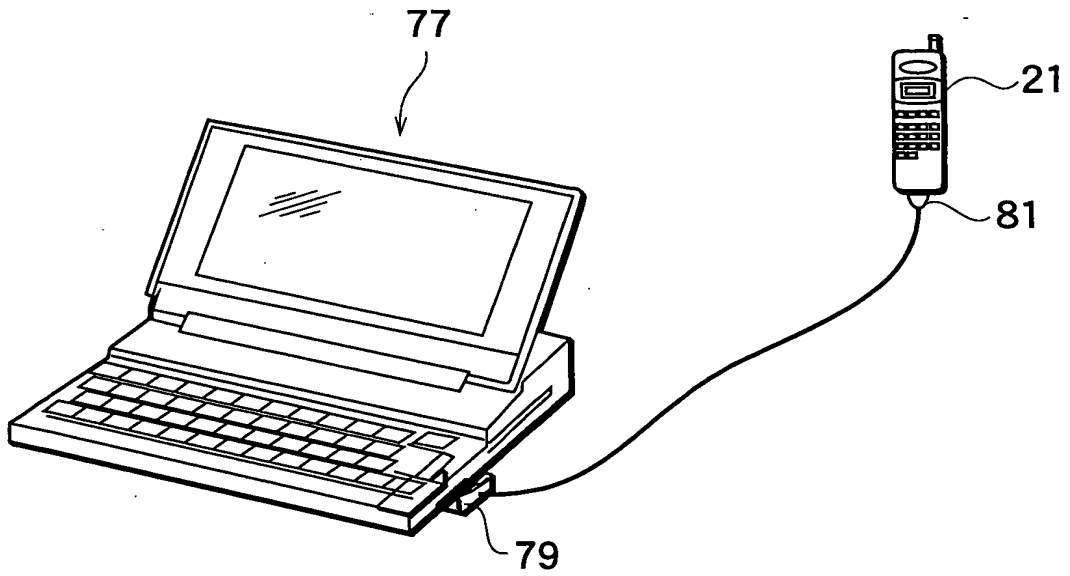


FIG.8

